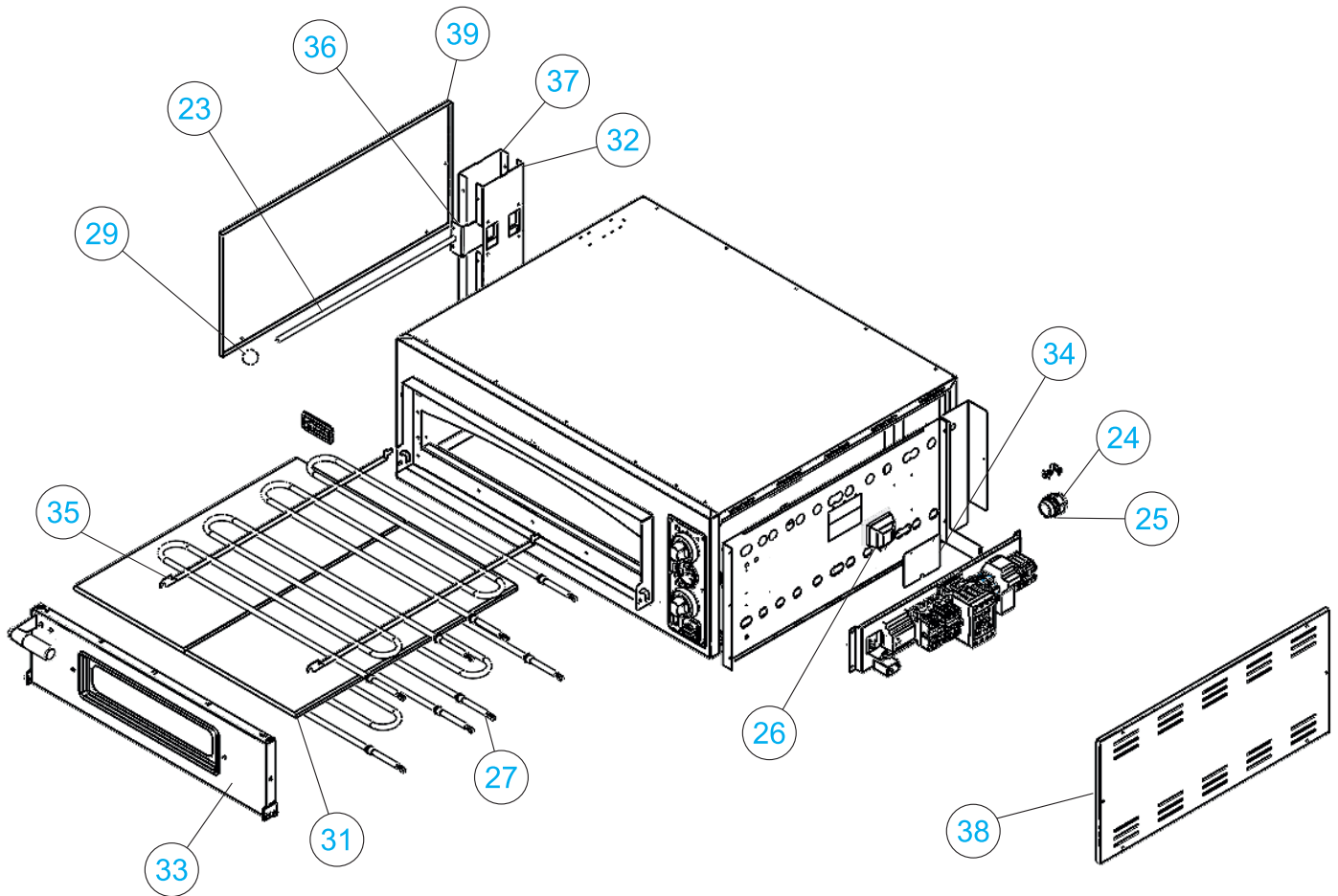


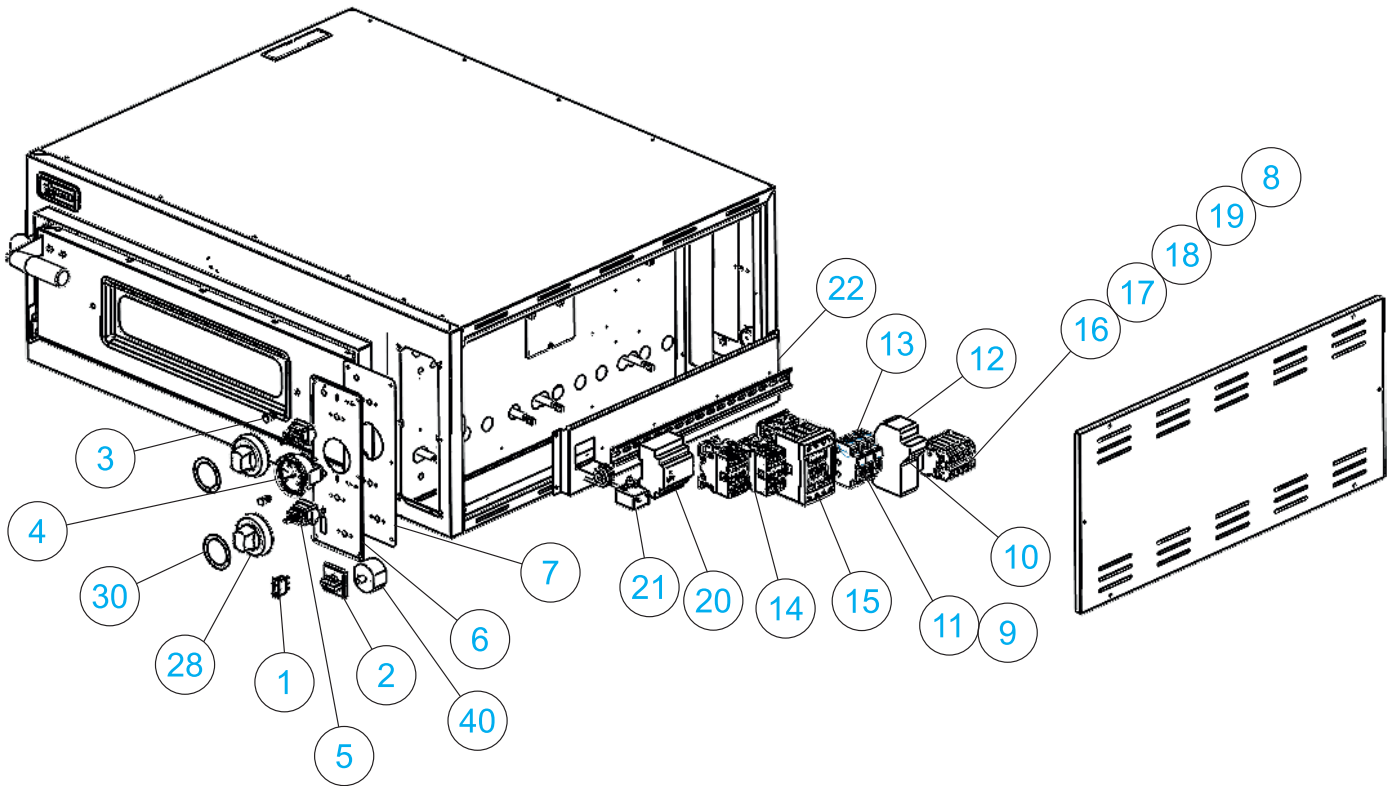
# PARTS BREAKDOWN

ITEM	MODEL
45542	PE-IT-0019-SS



# PARTS BREAKDOWN

ITEM	MODEL
45542	PE-IT-0019-SS



# PARTS BREAKDOWN

ITEM	MODEL
45542	PE-IT-0019-SS

Item No.	Description	Position	Item No.	Description	Position	Item No.	Description	Position
42048	Luminous Unipolar Red Switch for 45542	1	AQ728	Contactora 4P NO 70A 230V 50-60 Hz - AF40-40-00-13 for 45542	15	76614	Spheric Knob PLX.30-M8-C9 for 45542	29
74760	Grey Plate/Black Knob 48x48 (for Giovenzana Mainswitch 16/32 A) for 45542	2	AL761	Blue Clamp for 45542	16	46194	Thermostat Knob Label BL for 45542	30
AL301	Orange Indicator Light 125V Faston CSA-UL for 45542	3	AL759	Green-Yellow Clamp for 45542	17	76650	Brick 350x700x14 for 45542	31
74749	Thermometer Ø 60 Tar. 0-500C for 45542	4	AL762	Beige Clamp for 45542	18	AQ719	Chimney Base Single Chamber Oven for 45542	32
AM897	Unipolar Thermostat Ego 450 Deg - (55.19082.805 - EU) for 45542	5	AM806	Beige Clamp Locking Terminal for 45542	19	76604	Complete Door for 45542	33
AQ712	Front Command Label Polic. Release 2018 for 45542	6	AQ729	Power Supply MW HDR-100-12N for 45542	20	AQ720	Lamp Hole Closure Panel for 45542	34
AQ713	Command Panel for 45542	7	AM700	Unipolar Safety Thermostat 512TH - UL (55.13584.010) T.D. 8514.90.70 for 45542	21	AN340	Resistor Support for 45542	35
AQ723	Bridge Connection Terminal 16mm2 (WQV 16/16) for 45542	8	AQ730	120V Electrical System Support for 45542	22	AQ721	Chimney Closure Bracket for 45542	36
AQ724	Fuse 10x38 30A 250 Vac Type aM - UL for 45542	9	AQ718	Chimney Closure Rod M8x580 for 45542	23	AQ722	Single-Chamber Chimney Casing for 45542	37
AQ725	Fuse 27x60 60A 600Vac Type aM - UL for 45542	10	AM850	Cable Gland PG29 Gray for 45542	24	76603	RH Side Panel for 45542	38
AQ726	Fuse 10x38 4A 250 Vac ULFNM-4 Type Am - UL for 45542	11	AM851	Lock Nut PG29 Gray for 45542	25	76602	LH Side Panel for 45542	39
AQ727	Mersen Fuse Holder for 27x60 Fuses for 45542	12	AQ161	Lamp Holder 80x65 with Cables PTFE - Glass - Lamp G4 12V 20W 450C for 45542	26	42035	16A Actuator P0160004R001 4-Polar Switch Yellow for 45542	40
AQ714	Mersen Fuse Holder for 10x38 Fuses - UL for 45542	13	AQ731	Resistance Upper/Lower 1400 W 120V for 45542	27			
AQ715	Contactora 4P NO 30A 100-250V 50-60 Hz AF16-40-00-13 for 45542	14	77272	Thermostat Knob for 45542	28			